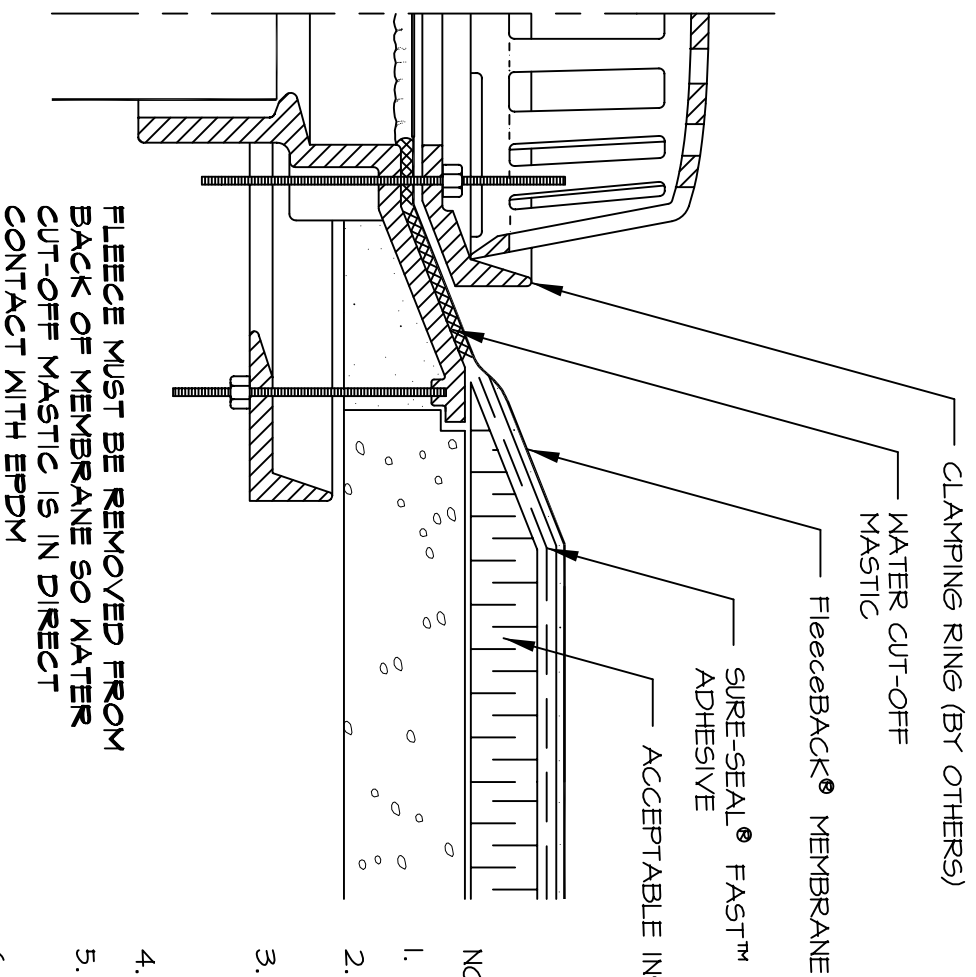
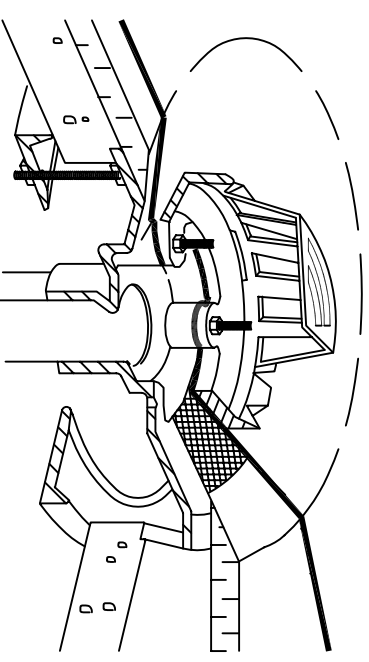


FIELD SPLICES MUST BE LOCATED OUTSIDE THE DRAIN SUMP



FLEECE MUST BE REMOVED FROM BACK OF MEMBRANE SO WATER CUT-OFF MASTIC IS IN DIRECT CONTACT WITH EPDM



NOTES:

1. REMOVE ALL LEAD AND OTHER FLASHING.
2. ALL BOLTS OR CLAMPS MUST BE IN PLACE TO PROVIDE CONSTANT COMPRESSION ON WATER CUT-OFF MASTIC.
3. CUT THE MEMBRANE SO IT EXTENDS A MINIMUM OF 1/2" (13 mm) FROM THE ATTACHMENT POINTS OF THE DRAIN CLAMPING RING.
4. HOLE IN MEMBRANE MUST EXCEED SIZE OF DRAIN PIPE.
5. INSULATION TAPER SHALL NOT BE STEEPER THAN 6" IN 12" (150 mm/300 mm).
6. ROOF DRAIN SIZE AND NUMBER OF DRAINS SHALL BE IN ACCORDANCE WITH LOCAL CODES.

FB-6-A

ROOF DRAIN (CONTINUOUS FleeceBACK MEMBRANE)

CARLISLE

Carlisle Syntec Incorporated