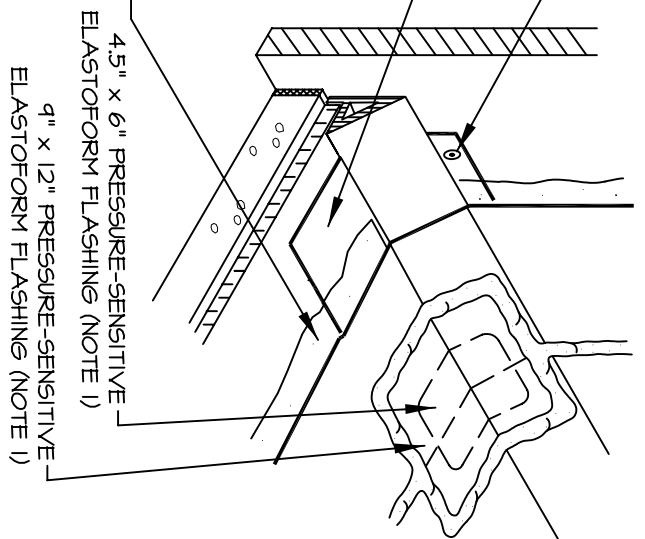


- NOTES:
1. A 4.5" x 6" (115 x 150 mm) AND A 9" x 12" (230 x 300 mm) PIECE OF PRESSURE-SENSITIVE ELASTOFORM FLASHING MUST BE CENTERED OVER THE FIELD SPICE AT ANGLE CHANGE.
 2. ALL OUTSIDE AND INSIDE CORNERS REQUIRE TWO CORNER APPLICATIONS OF UNCURED ELASTOFORM FLASHING AS PER DETAIL X3FB-15.
 3. WHEN SURE-SEAL EXPANSION JOINT IS USED, WIDTH OF JOINT SHALL BE A MINIMUM OF 3/4" (19 mm) AND SHALL NOT EXCEED 2" (50 mm).
 4. 6" (50 mm) WIDE PRESSURE-SENSITIVE ELASTOFORM FLASHING MAY ALSO BE CENTERED OVER FIELD SPICE AT ANGLE CHANGE.



30-YEAR WARRANTY
X3FB-3B

DECK TO WALL EXPANSION JOINT

